

Specification Status: Released

Marking:

XX 09 R 02 GN

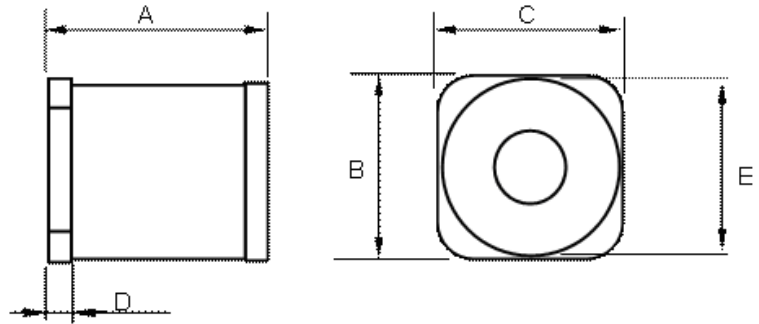
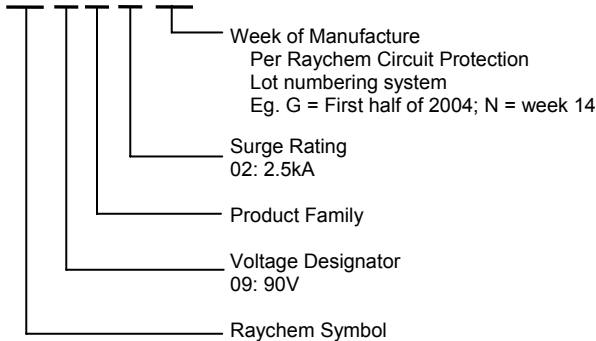


TABLE 1. DIMENSIONS

	A		B		C		D	E	
	Min	Max	Min	Max	Min	Max	Nom	Min	Max
mm	4.8	5.2	5.1	5.5	5.1	5.5	0.5	4.8	5.2
in*	(0.189)	(0.205)	(0.201)	(0.217)	(0.201)	(0.217)	(0.020)	(0.189)	(0.205)

*Rounded off approximation

TABLE 2. RECOMMENDED PAD LAYOUT

	X	Y	Z
	Nom	Nom	Nom
mm	5.0	4.2	1.3
in*	(0.197)	(0.165)	(0.051)

*Rounded off approximation

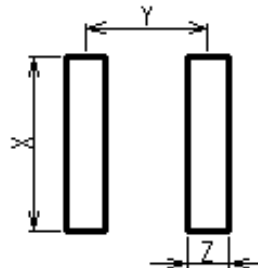


TABLE 3. ELECTRICAL CHARACTERISTICS

DC Spark over Voltage	Impulse Spark over Voltage	Insulation Resistance	Capacitance	Impulse Discharge Current 8/20 μ s	Impulse Discharge Current (8/20 μ s)	AC Discharge Current, 50 Hz
@ 100V/s	@1kV/ μ s	@50 V _{DC}	@ 1MHz	Single Impulse	Repeat 10 times (5 times, each polarity)	Repeat 5 times 1s
90V \pm 20%	600V	\geq 1,000M Ω	\leq 1.0pF	5kA	2.5kA	2.5A

General Characteristics

No Radioactive Materials

Storage temperature: -40°C ... +85°C

Operating temperature: -40°C ... +85°C

Materials Information

RoHS Compliant

ELV Compliant

Directive 2002/95/EC Compliant

Directive 2000/53/EC Compliant

UL:

Precedence:

Effectivity:

CAUTION:

#E179610

This specification takes precedence over documents referenced herein.

Reference documents shall be the issue in effect on the date of invitation for bid.

Operation beyond the rated voltage or current may result in rupture, electrical arcing or flame.

OBSOLETE
NOT the LATEST REVISION