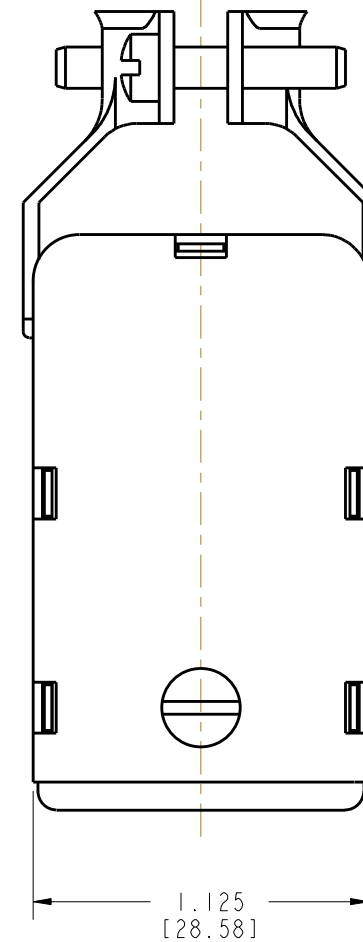
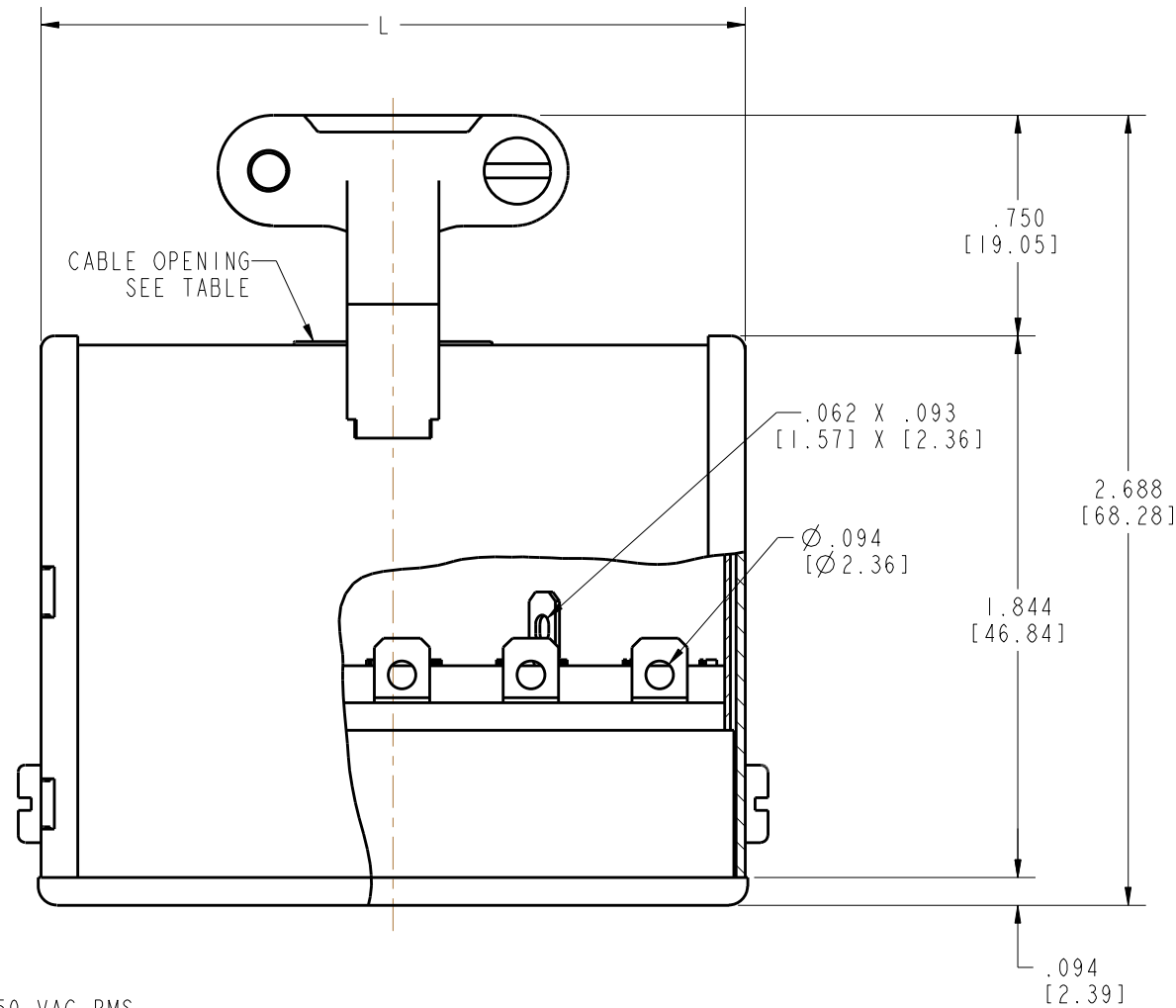


PART NUMBER	SIZE	L	CABLE OPENING	FACTORY NUMBER
S-2404H-CCT	4	1.063 [27.00]	.438 [11.13]	703 04 04 002
S-2406H-CCT	6	1.500 [38.10]	.438 [11.13]	703 04 06 002
S-2408H-CCT	8	1.938 [49.23]	.563 [14.30]	703 04 08 002
S-2410H-CCT	10	2.375 [60.33]	.563 [14.30]	703 04 10 002
S-2412H-CCT	12	1.813 [46.05]	.625 [15.88]	703 04 12 002

DRAWING REVISIONS			
REV	DOCUMENT	APP	DATE
B	WAS S-24084H-CCT	JOD	2/7/12



NOTES:

1. SPECIFICATIONS:

ELECTRICAL:
 OPERATING VOLTAGE: 250 VAC RMS
 CURRENT RATING: 15 AMPS
 CURRENT RESISTANCE: 1.0 MILLIOHMS MAXIMUM

INSULATOR: MOLDED MONBLOCK, GENERAL PURPOSE PHENOLIC, BLACK

CONTACT: PHOSPHOR BRONZE, MATTE TIN

BRACKET, SCREW: STEEL, ZINC WITH CLEAR TRVALENT CHROME

CAP: BLACK CRINKLE

LINER: PAPER, CELLULOSE BASED, UL 94V-0

ENVIRONMENTAL:
 OPERATING TEMPERATURE: UP TO +105°C

TERMINATION: SOLDER

2. DIMENSIONS IN [] ARE MILLIMETERS

3. ALL DIMENSIONS ARE REFERENCE

RoHS COMPLIANT

MODELED BY:
JIMENEZ

UNITS	ENGLISH INCHES	PRO/E	CINCH
DO NOT SCALE DRAWING	DRAWN BY JIMENEZ	DATE 8/1/06	TITLE 2400 SERIES, SOCKET CAP ASSEMBLY (CCT)
UNLESS OTHERWISE SPECIFIED: ALL DIMENSIONS ARE IN INCHES	DESIGN ENGINEER A. BALI	8/1/06	MATERIAL CONTROL SPEC NUMBER 06-1068
FILLET/RADIUS .02 MAX	DESIGN ENGINEERING MGR. A. BALI	8/1/06	MATERIAL SPEC NUMBER FINISH PROJECT NUMBER CI4789-2
TOLERANCES X ± .1 XX ± .01 .XXX ± .005 ANGULAR ± .5	MFG. ENGINEERING		CAD FILE NUMBER S2404HCCT
THIS DOCUMENT IS THE PROPERTY OF CINCH. NEITHER THIS DOCUMENT NOR ANY OF THE INFORMATION CONTAINED IN IT MAY BE DUPLICATED OR DISCLOSED WITHOUT PRIOR WRITTEN CONSENT OF CINCH.	QUALITY ASSURANCE		DRAWING NUMBER S-2404H-CCT
			CAGE IDENT NO. SIZE 71785 B
			SCALE 1.000
			SHEET 1 OF 1

1700 FINLEY RD
LOMBARD, IL. 60148