

Accessories – Backshells – D*H Series

Products » D-subminiature » Accessories – Backshells – D*H Series

[Features](#) | [Part Numbers](#) | [Dimensions](#)

Features

Backshells have two-piece construction and are frequently used where appearance is a major factor.

- RFI/EMI shielding capability is also an option:
 - Plastic Backshells: No shielding.
 - Metallized Plastic: Economical method of shielding.
 - Diecast Backshells: Maximum shielding.
- Standard two-piece construction available in plastic, metallized plastic, or diecast zinc versions with 180° straight cable entry.
- Fits standard metal shell D-subminiature plugs and sockets as well as HTD Series 1.5 D-subs.
- Included in all backshells:
 - Hardware: 4-40 screws, hex nuts, 4-40 screw mounting bracket.
 - Grommets: To accommodate most cable sizes. Grommets also function as strain reliefs.
- Backshells are individually bagged.
- Note that slide locks may not be used with these backshells.
- Optional thumbscrew for backshell must be ordered separately if required.

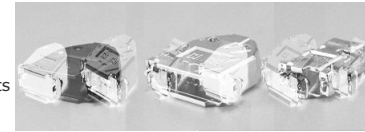


Materials

4-40 screws, hex nuts, mounting bracket: Steel with zinc plating and clear chromate coating.

Standard Backshells

- Plastic Backshells: ABS (black), hardware – steel with zinc plating, grommets – polyphenylene, (black).
- Metallized Plastic Backshells: ABS with nickel over copper plating, hardware – steel with zinc plating, grommets – PVC (black).
- Diecast Backshells: Diecast zinc, grommets – PVC (black).



[back to top](#)

Part Numbers

Ordering Information

D*H Two-Piece Backshells (see below for RoHS parts)

Shell Size	Fits Standard Density	Cable Entry Style	Plastic	Cable Dia. (in)	Metallized Plastic	Cable Dia. (in)
E	9	Straight (180°)	DPH-E-001	.210-.320	DCH-E-001	.210-.350
A	15	Straight (180°)	DPH-A-001	.210-.320	DCH-A-001	.210-.350
B	25	Straight (180°)	DPH-B-001	.230-.450	DCH-B-001	.230-.450
C	37	Straight (180°)	DPH-C-001	.350-.650	DCH-C-001	.350-.640
D	50	Straight (180°)	N/A	.350-.650	DCH-D-001	.350-.640

Ordering Information

D*H Two-Piece Backshells (see below for RoHS parts)

Shell Size	Fits Standard Density	Cable Entry Style	Diecast Metal	Cable Dia. (in)
E	9	Straight (180°)	DMH-E-001	.210-.320
A	15	Straight (180°)	DMH-A-001	.210-.320
B	25	Straight (180°)	DMH-B-001	.230-.450
C	37	Straight (180°)	DMH-C-001	.350-.650
D	50	Straight (180°)	DMH-D-001	.350-.640

Ordering Information for RoHS D*H Two-Piece Backshells

Shell Size	Fits. Std. Dens	Cable Entry Style	Cable Dia. (in)		Cable dia. (in)		Cable Dia. (in)	
			Plastic	Metallized Plastic	Diecast Metal	Diecast Metal		
E	9	Straight(180°)	DPH-E-003	.210-.320	DCH-E-003	.210-.320	.	.
A	15	Straight(180°)	DPH-A-003	.210-320	DCH-A-003	.210-.350	DMH-A-003	.210-.320
B	25	Straight(180°)	DPH-B-003	.230-.450	DCH-B-003	.230-.450	.	.
C	37	Straight(180°)	N/A		DCH-C-003	.350-640	DMH-C-003	.350-.650
PDF			Plastic Drw.		Met. Plast. Drw.		Diecast Drw.	

[back to top](#)

Dimensions

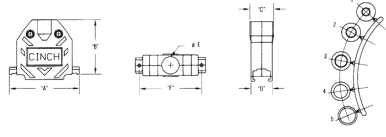
Straight (180deg.) Plastic & Metalized Plastic Dimensions

Shell Size	A		B		C		D		E		F	
	in	mm	in	mm	in	mm	in	mm	in	mm	in	mm
E	1.225	31.12	1.547	39.29	0.640	16.26	0.645	16.38	0.400	10.16	0.984	24.99
A	1.540	39.12	1.516	38.51	0.640	16.26	0.645	16.38	0.400	10.16	1.312	33.32
B	2.090	53.09	1.655	42.04	0.710	18.03	0.645	16.38	0.522	13.26	1.857	47.17
C	2.730	69.34	1.830	46.48	0.906	23.01	0.645	16.38	0.725	18.42	2.500	63.50
D	2.645	67.18	1.855	41.12	0.940	23.88	0.750	19.05	0.725	18.42	2.406	61.11

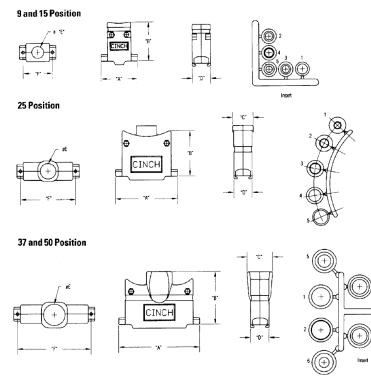
EMI/RFI Shielded Diecast Backshells Dimensions

Shell Size	A		B		C		D		E		F	
	in	mm	in	mm	in	mm	in	mm	in	mm	in	mm
E	1.225	31.12	1.465	37.21	0.620	15.75	0.620	15.75	0.400	10.16	0.984	24.99
A	1.540	39.12	1.600	40.64	0.620	15.75	0.620	15.75	0.400	10.16	1.312	33.32
B	2.090	53.09	1.570	39.88	0.690	17.53	0.620	15.75	0.525	13.34	1.857	47.17
C	2.730	69.34	1.810	45.97	0.862	21.89	0.620	15.75	0.725	18.42	2.500	63.50
D	2.624	66.65	1.800	45.72	0.862	21.89	0.730	18.54	0.725	18.42	2.406	61.11

Click image for larger view.



Click image for larger view.



[back to top](#)

[Markets](#) [Products](#) [About](#) [Literature](#) [Environmental Initiatives](#) [News](#) [Sales Contacts](#) [Employment](#) [Contact Us](#) [Sitemap](#) [Rep Portal](#)

© 2015 Cinch Connectors [Legal](#) [All Rights Reserved](#) [Sales Terms & Conditions](#) [European Sales Terms & Conditions](#) [Purchasing Terms & Conditions](#)

[Stock Check](#) [Bel Fuse](#) [Fibreco](#) [GigaCom](#) [Cinch Connectivity Solutions](#)



[Sign Up for Cinch News](#)