

Sealed Rocker Switch

Single Pole

KC Series



Features

- Snap-in mounting
- RoHS compliant
- 100,000 cycles mechanical life
- IP65
- Lighted and non-lighted versions available

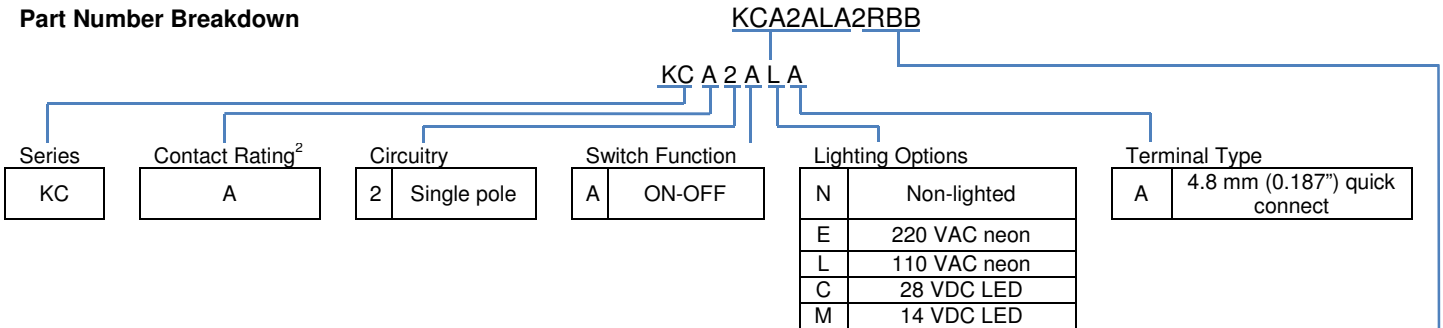
Standard Parts¹

North America		North America and Europe	Europe
KCA2ALA2GBB	KCA2ALA2RBB	KCA2ANA1BBB	KCA2AEA2GBB
KCA2ALA2LBB	KCA2ANA1BBD		

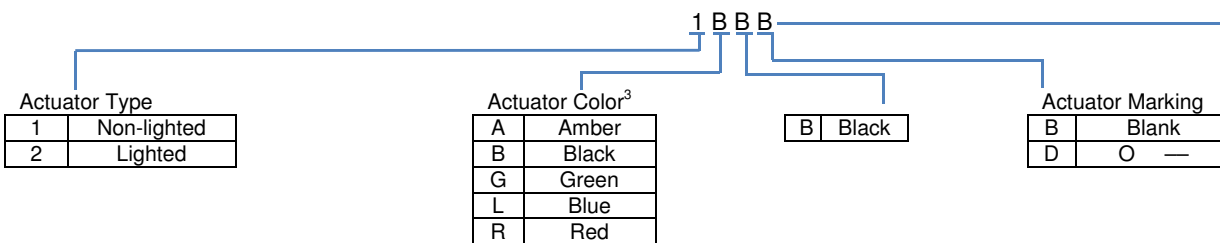
¹The part number configuration matrix below provides details to the part numbers above.

For configurable part numbers that are not listed above, not listed in your region, or for custom part numbers, contact the factory or your distributor.

Part Number Breakdown



²See Electrical Specifications section



³Black actuator is only available for non-lighted; others only for lighted.



Electrical Specifications

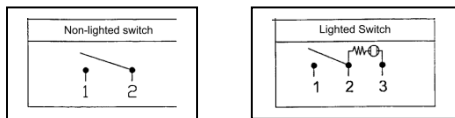
Dielectric Strength	1500 VAC for 1 minute		
Insulation Resistance	100 MΩ min at 500 VDC		
Initial Contact Resistance	0.050 Ω max		
Electrical Ratings			
Lighting Option	EN61058-1	UL1054	
N	10 (4) 250	16 A 125 VAC / 10 A 250 VAC	
E, L	10 (4) 250	16 A 125 VAC / 10 A 250 VAC	
C	10 A 28 VDC	N/A	
M	20 A 14 VDC	N/A	
Electrical Life at Rated Load Minimum Operations	VDE 10,000	UL 6,000	

UL File No: E23301

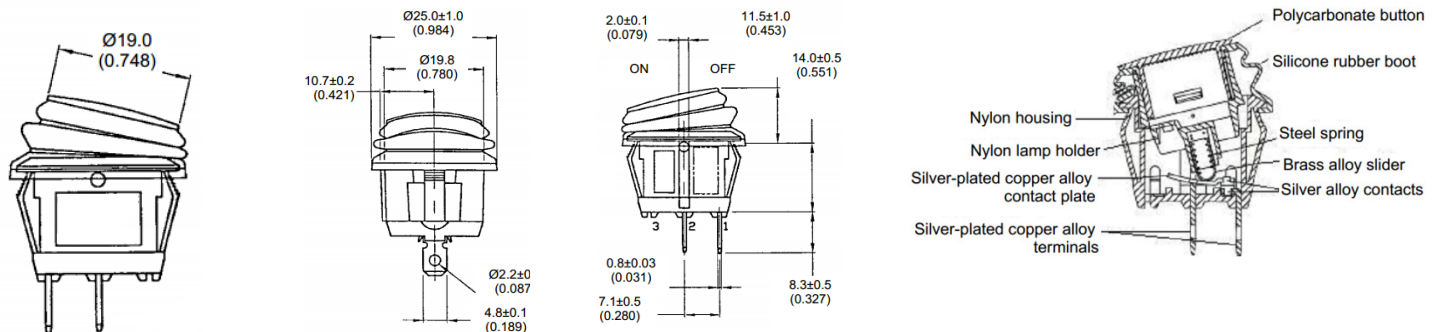
Material and Environmental Specifications

Actuator	Polycarbonate		
Housing	Nylon 66 94V-2		
Spring	Stainless Steel Wire		
Contacts	Silver Alloy		
Movable Arm	Silver-Plated Copper Alloy		
Terminals	Silver-Plated Copper Alloy		
Rubber Boot	Silicone		
Operating Temperature Range	-25 °C to +85 °C (-13 °F to +185 °F)		
Ingress Protection	IP65		

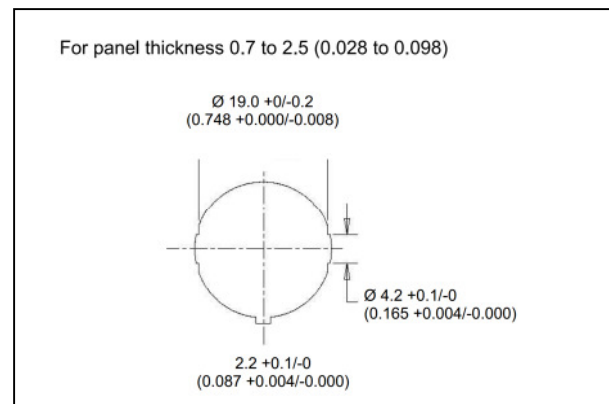
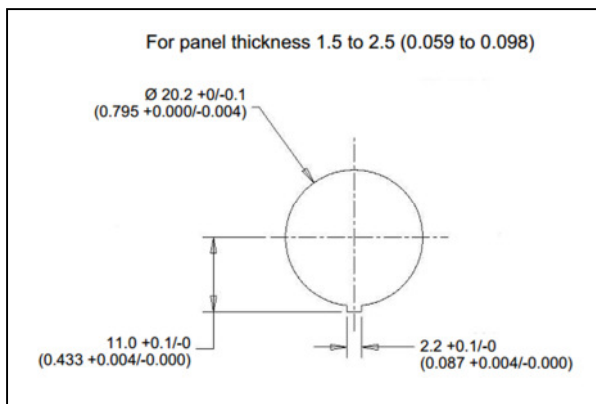
Circuitry and Switch Functions



Dimensions mm (inches)



Recommended Panel Cut-out



www.switches-sensors.zf.com ZF Electronics Systems Pleasant Prairie, LLC ("ZF") acquired the rights to the CHERRY branded switches and sensors in 2008. Although ZF divested its interest in the CHERRY name in 2015, the switches and sensors remain unchanged and are now sold under the ZF brand.

Page 2 of 2, Last update 2017-11-06, Specifications subject to change without notice.

