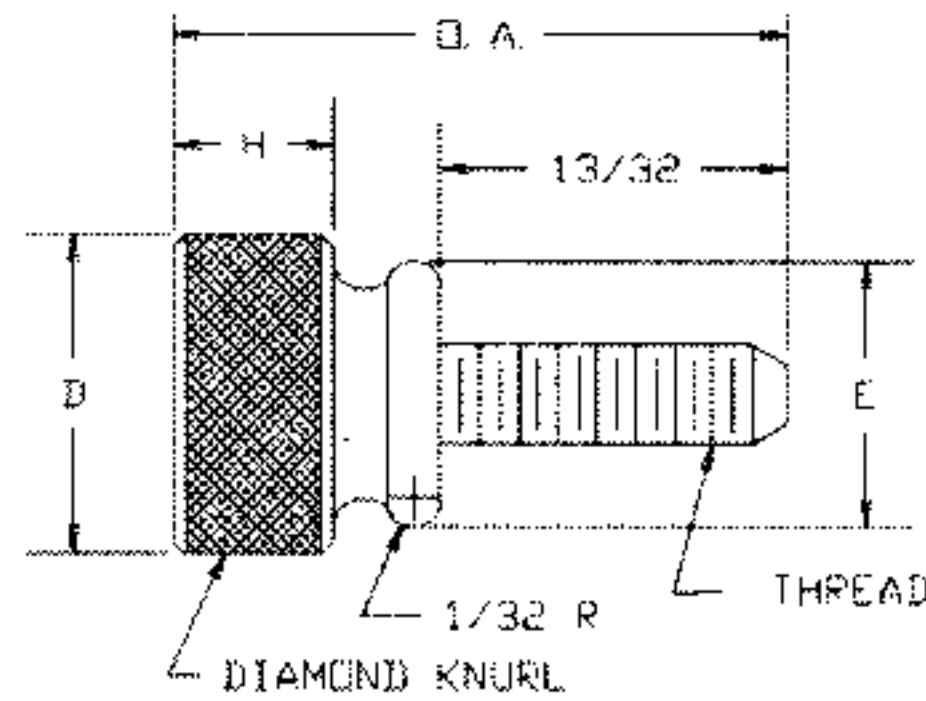


HARDWARE

THUMB SCREW

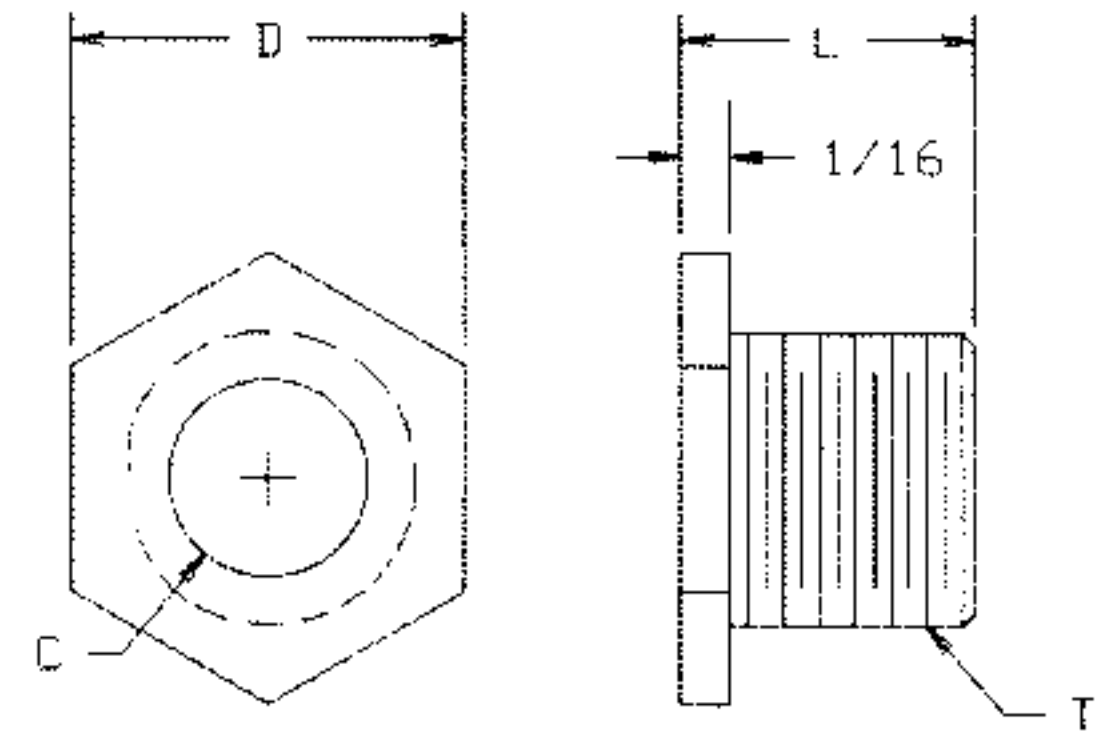
MATERIAL: BRASS
FINISH: NICKEL



PART NO.	D	E	THREAD	H	O.A.
40-4205-02	3/8	5/16	6-32	.187	23/32
40-4210-02	3/8	5/16	8-32	.187	23/32
40-4215-02	3/8	5/16	10-32	.187	23/32
40-4220-02	7/16	3/8	6-32	.187	23/32
40-4225-02	7/16	3/8	8-32	.187	23/32
40-4230-02	7/16	3/8	10-32	.187	23/32
40-4235-02	1/2	7/16	6-32	.187	23/32
40-4240-02	1/2	7/16	8-32	.187	23/32
40-4245-02	1/2	7/16	10-32	.187	23/32
40-4250-02	7/16	3/8	6-32	.250	25/32
40-4255-02	7/16	3/8	8-32	.250	25/32
40-4260-02	7/16	3/8	10-32	.250	25/32

90-90XX PANEL BUSHING SERIES

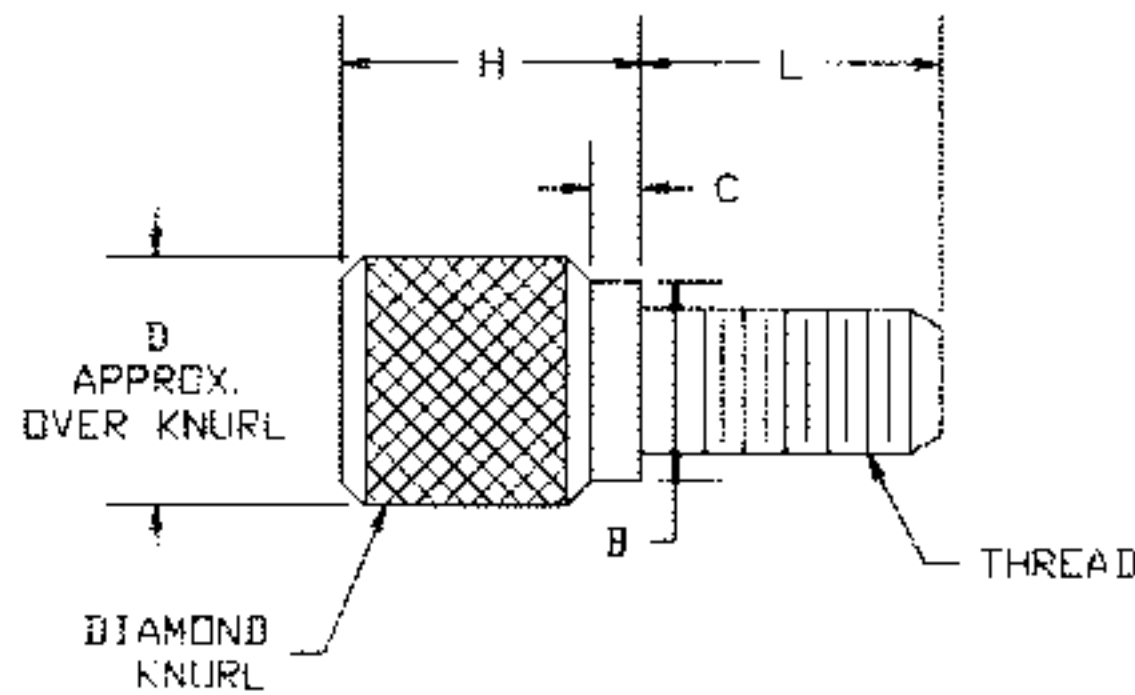
MATERIAL: BRASS
FINISH: NICKEL
MOUNTING NUT SUPPLIED



PART NO.	L	D	C	T
90-9010-02	3/8	1/2	.252	3/8-32
90-9015-02	7/16	1/2	.252	3/8-32
90-9020-02	1/2	1/2	.252	3/8-32
90-9025-02	1/2	7/16	.252	3/8-32
90-9030-02	5/8	1/2	.252	3/8-32
90-9040-02	3/8	11/32	.127	1/4-32
90-9050-02	3/8	3/8	.127	1/4-28
90-9060-02	1/2	3/8	.127	1/4-28

THUMB SCREW

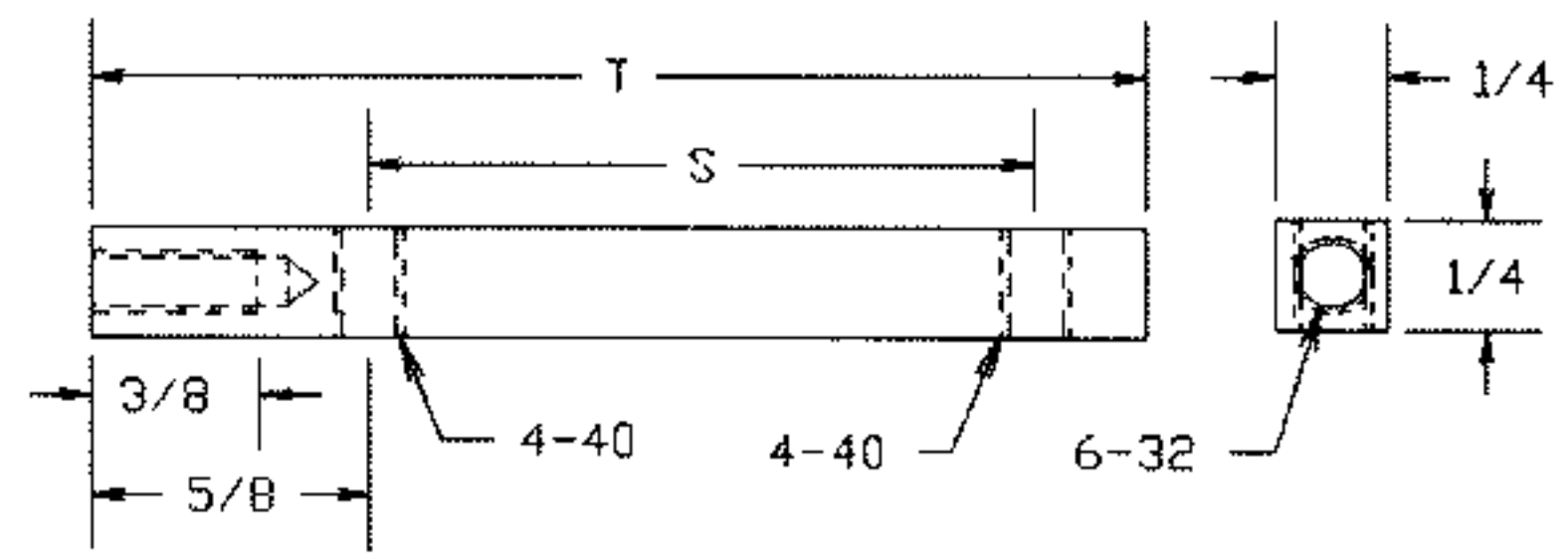
MATERIAL: BRASS
FINISH: NICKEL



PART NO.	L	B	C	D	H	THREAD
40-4275-02	.188	.125	.031	.164	.188	2-56
40-4276-02	.250	.156	.031	.196	.188	3-48
40-4277-02	.250	.156	.031	.196	.188	4-40
40-4278-02	.250	.203	.050	.261	.250	6-32

90-940X BRACKET SERIES

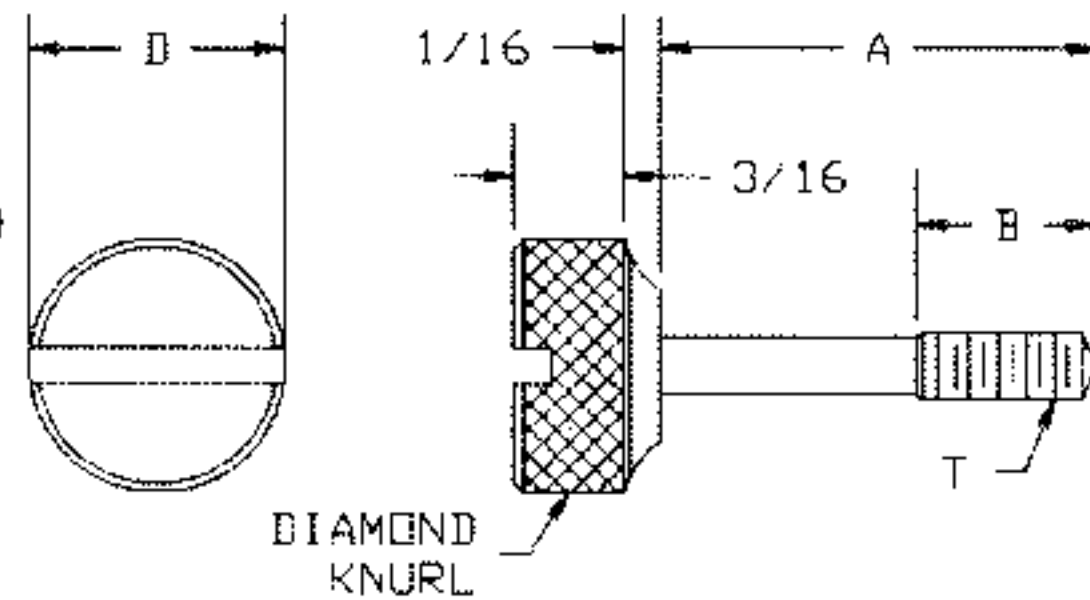
MATERIAL: BRASS



PART NO.	S	T
90-9401	1-1/2	2-3/8
90-9402	2	2-7/8
90-9403	2-1/2	3-3/8

40-4000 CAPTIVE SCREW SERIES

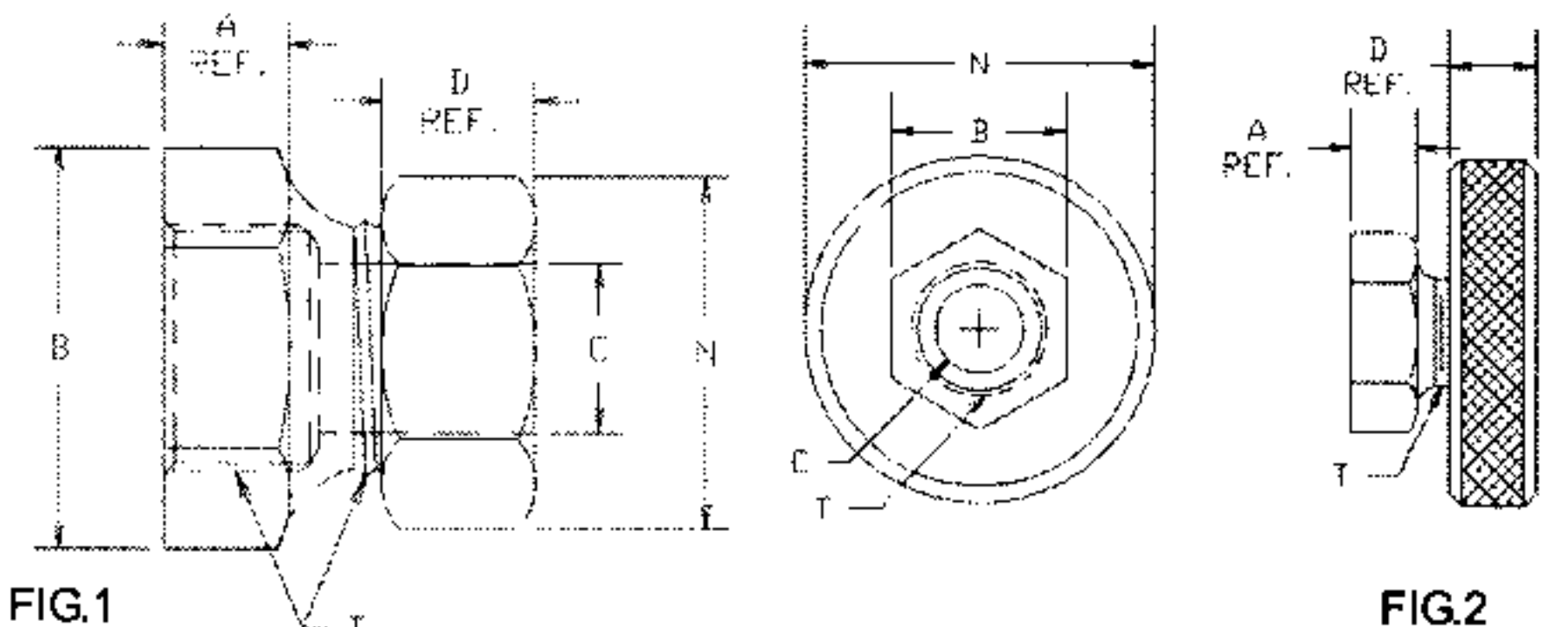
FINISH: NICKEL PL. (BRASS)
PASSIVATED (ST. STEEL)



PART NO.	A	B	D	T	MATERIAL
40-4005-02	3/4	5/16	7/16	6-32	Brass Nickel Plated
40-4010	3/4	5/16	7/16	6-32	St. St.
40-4015-02	3/4	3/8	7/16	8-32	Brass Nickel Plated
40-4020	3/4	3/8	7/16	8-32	St. St.
40-4025-02	7/8	3/8	5/8	10-32	Brass Nickel Plated
40-4030	7/8	3/8	7/16	10-32	St. St.
40-4035-02	7/8	3/8	5/8	1/4-20	Brass Nickel Plated
40-4040	7/8	3/8	1/2	1/4-20	St. St.

90-91XX SHAFT LOCK SERIES

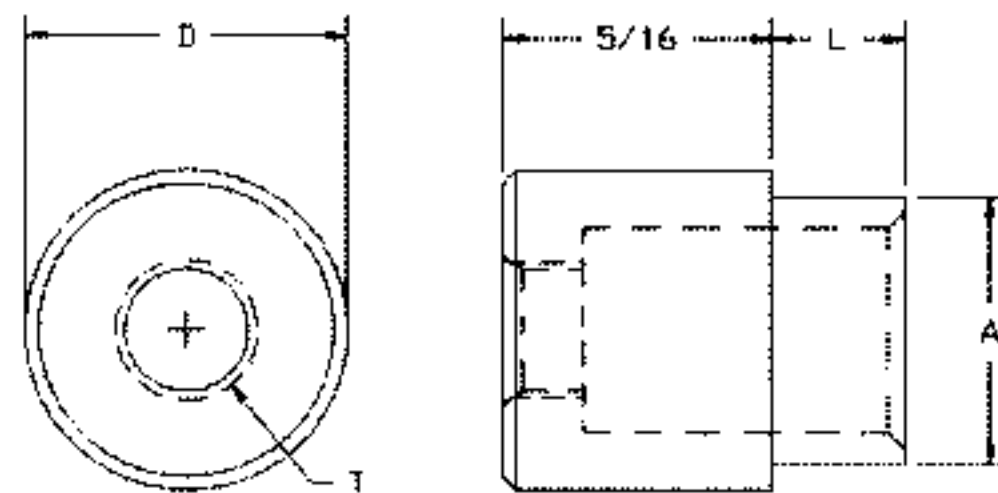
MATERIAL: BRASS
FINISH: NICKEL



PART NO.	FIG.	A	D	B	N	C HOLE	THREAD
90-9110-02	1	3/16	7/32	1/2 Hex.	7/16 Hex.	1/4	3/8-32
90-9120-02	2	3/16	1/4	1/2 Hex.	1" Rd.	1/4	3/8-32
90-9130-02	1	1/8	7/32	3/8 Hex.	5/16 Hex.	1/8	1/4-32

40-4100 CAPTIVE SCREW BUSHING SERIES

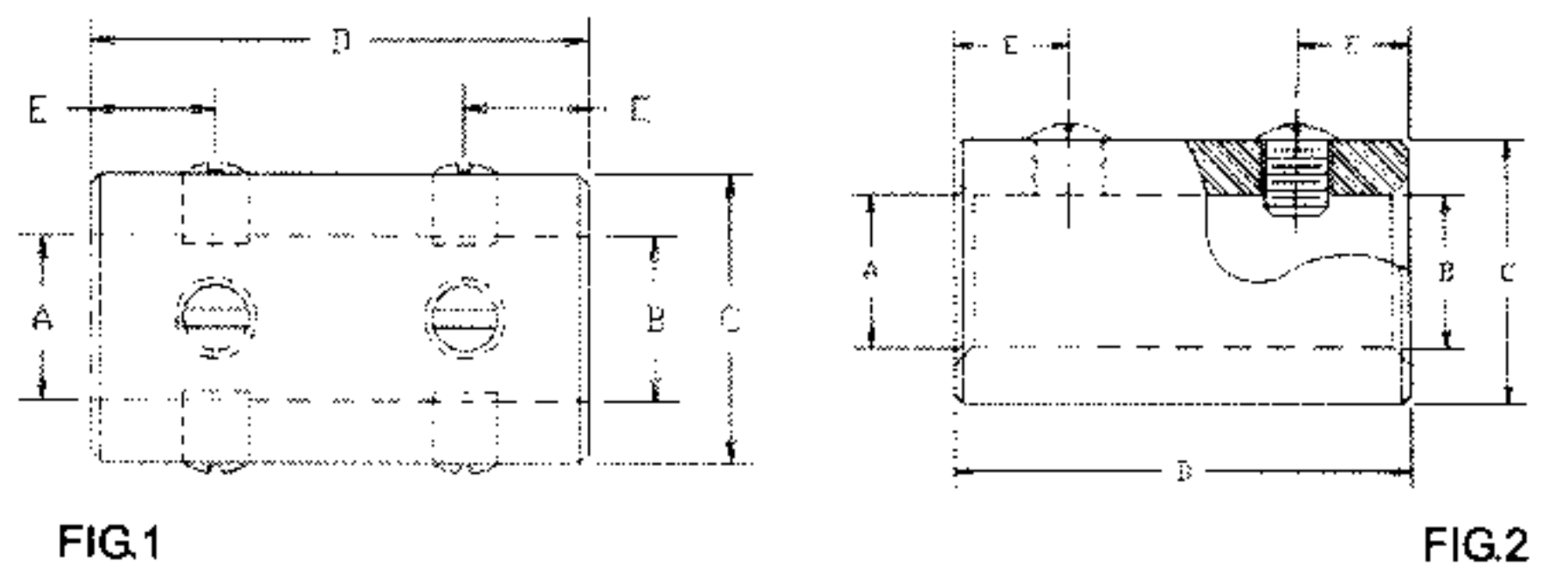
MATERIAL: BRASS
FINISH: NICKEL



PART NO.	D	A	L	T	PANEL THICK.
40-4105-02	3/8	5/16	5/32	6-32	1/8
40-4110-02	3/8	5/16	5/32	8-32	1/8
40-4115-02	9/16	13/32	5/32	10-32	1/8
40-4120-02	9/16	13/32	5/32	1/4-20	1/8
40-4125-02	3/8	5/16	7/32	6-32	3/16
40-4130-02	3/8	5/16	7/32	8-32	3/16
40-4135-02	9/16	13/32	7/32	10-32	3/16
40-4140-02	9/16	13/32	7/32	1/4-20	3/16
40-4145-02	3/8	5/16	9/32	6-32	1/4
40-4150-02	3/8	5/16	9/32	8-32	1/4
40-4155-02	9/16	13/32	9/32	10-32	1/4
40-4160-02	9/16	13/32	9/32	1/4-20	1/4

SHAFT COUPLERS

BRASS NICKEL PL. SHAFT COUPLERS.
SUPPLIED WITH TWO OR FOUR CUP-POINT SET SCREW



PART NO.	FIG.	A	B	C	D	E	SCREW
40-4305-1-02	2	1/4	1/4	7/16	3/4	3/16	2
40-4315-1-02	1	1/4	1/4	7/16	3/4	3/16	4
40-4310-1-02	2	1/8	1/8	9/32	3/8	5/64	2

