

# PTFE INSULATED TERMINALS

## 11XX-XX- XX XX 1130R-XX-XX XX

BASIC PART NUMBER FINISH COLOR (SEE COLOR CHART ON PAGE 143)

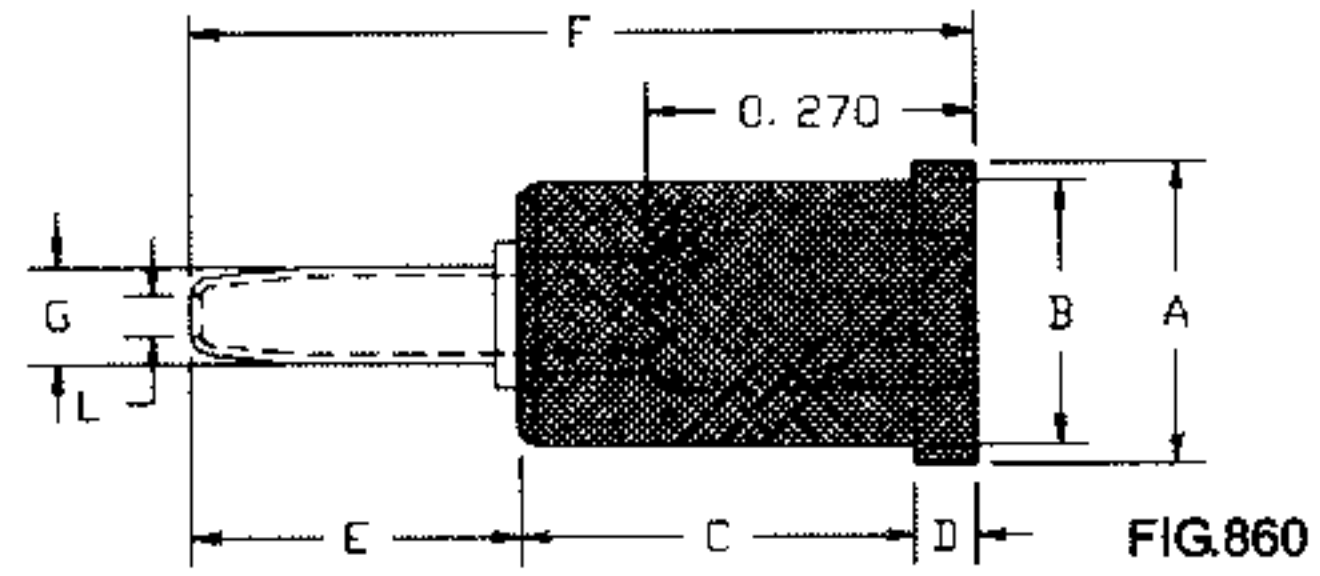
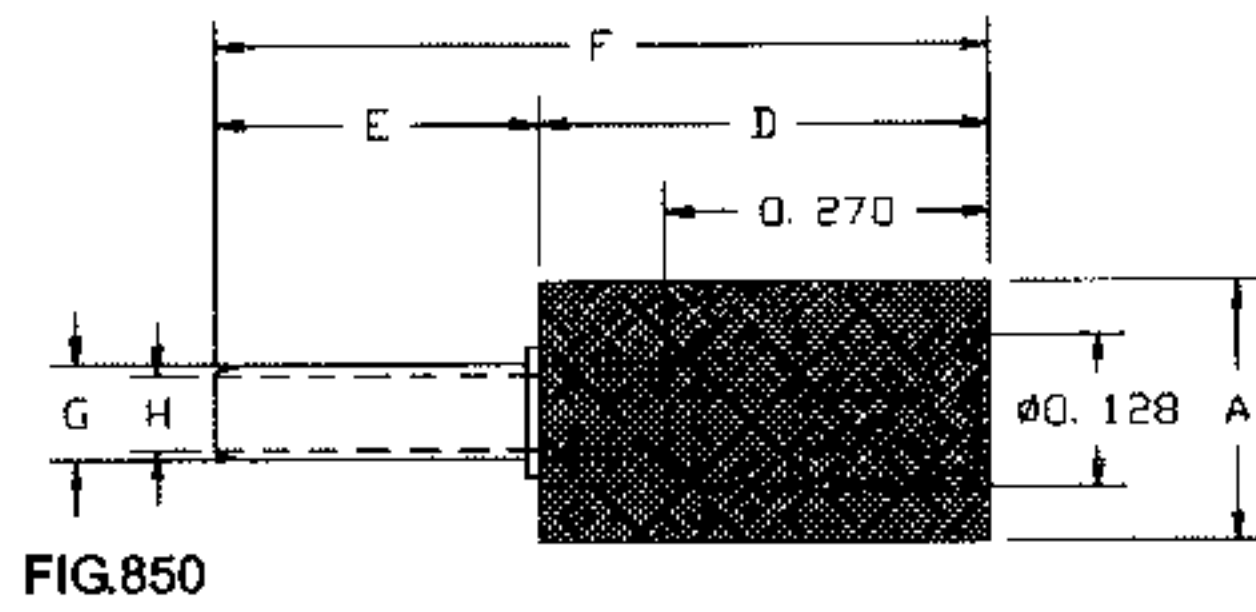
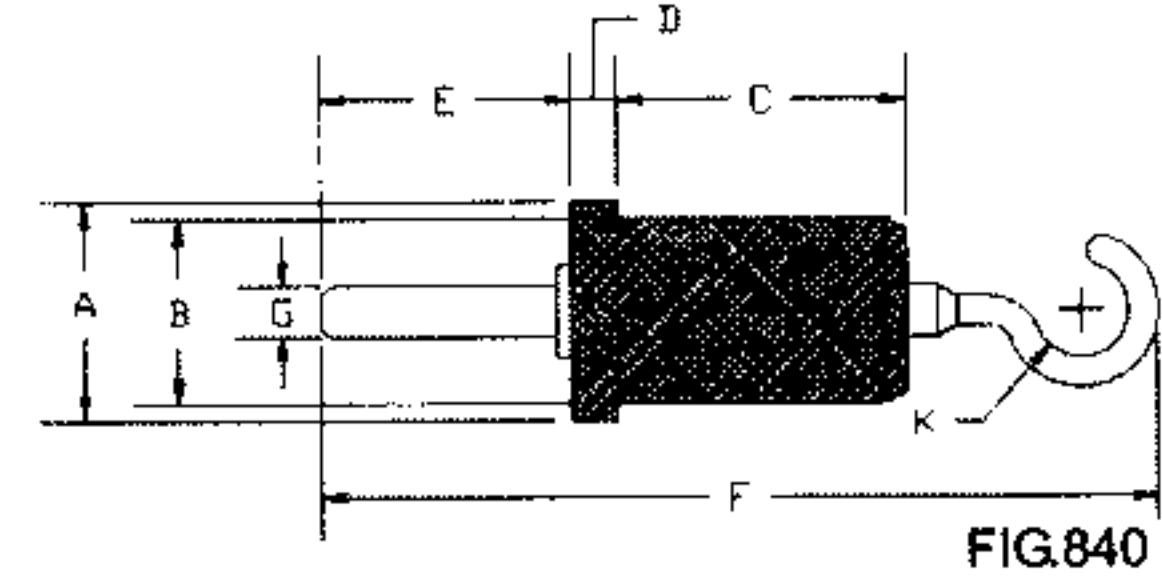
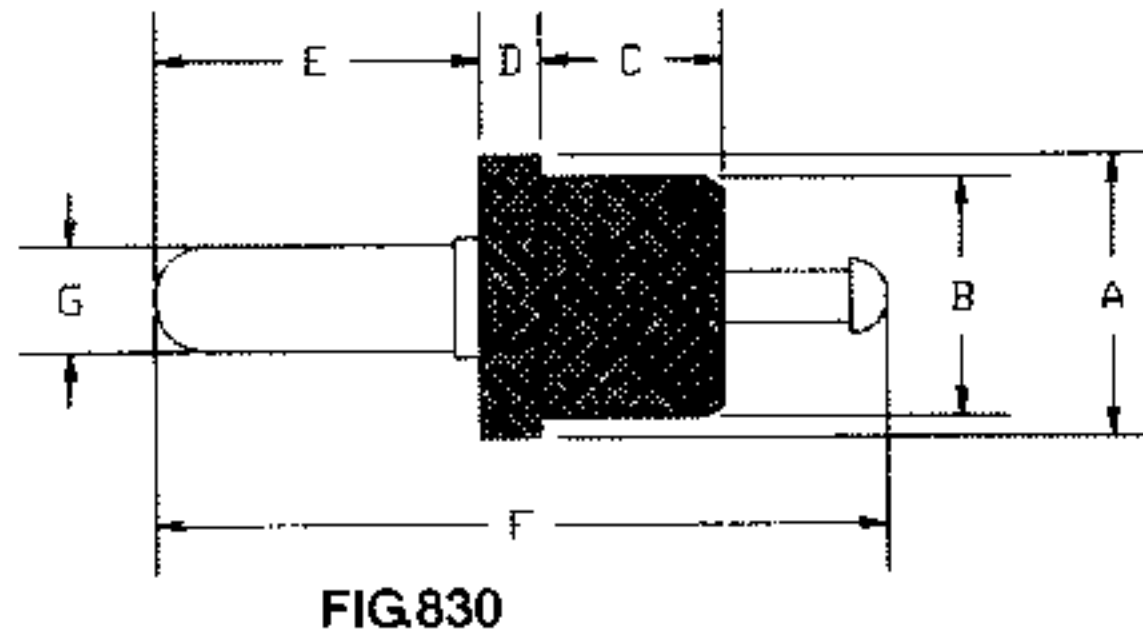
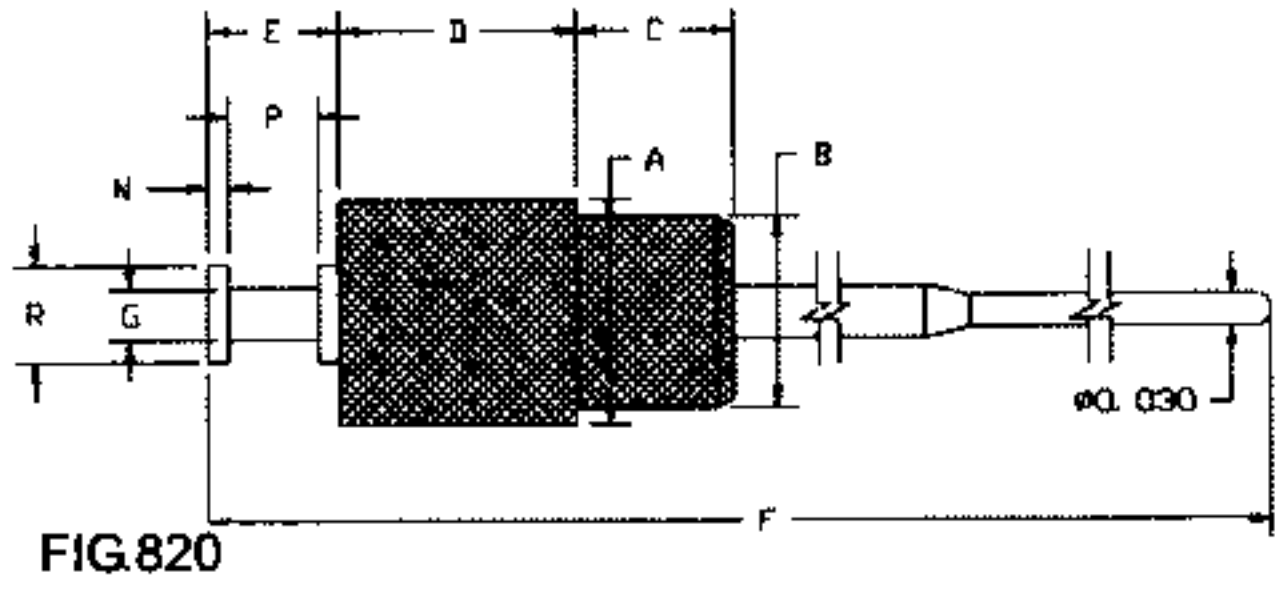
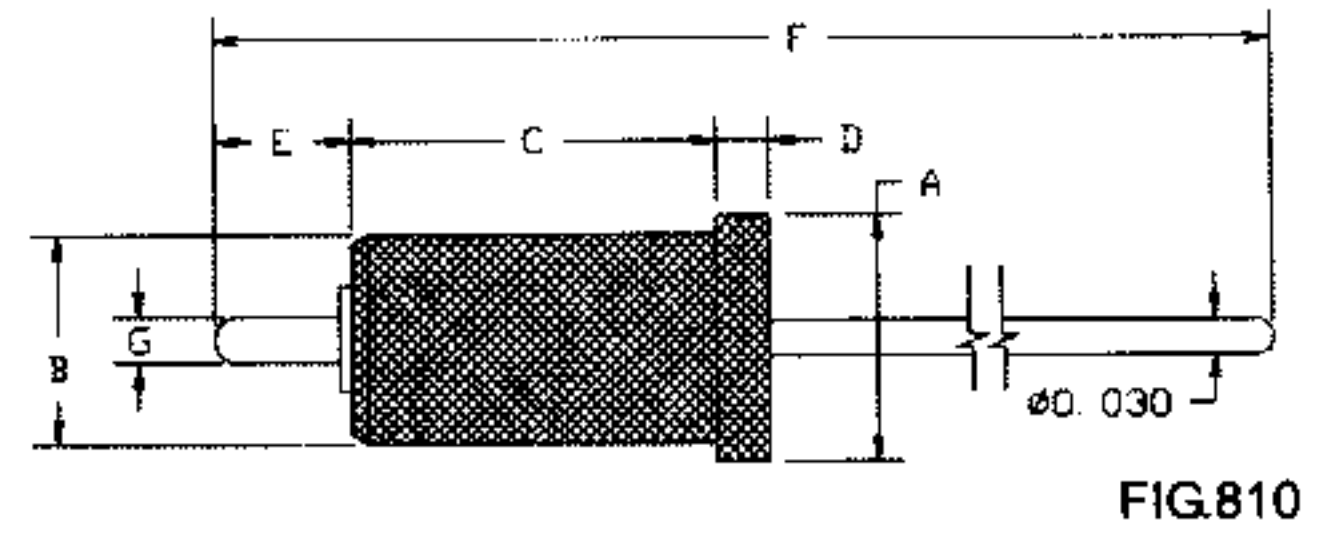
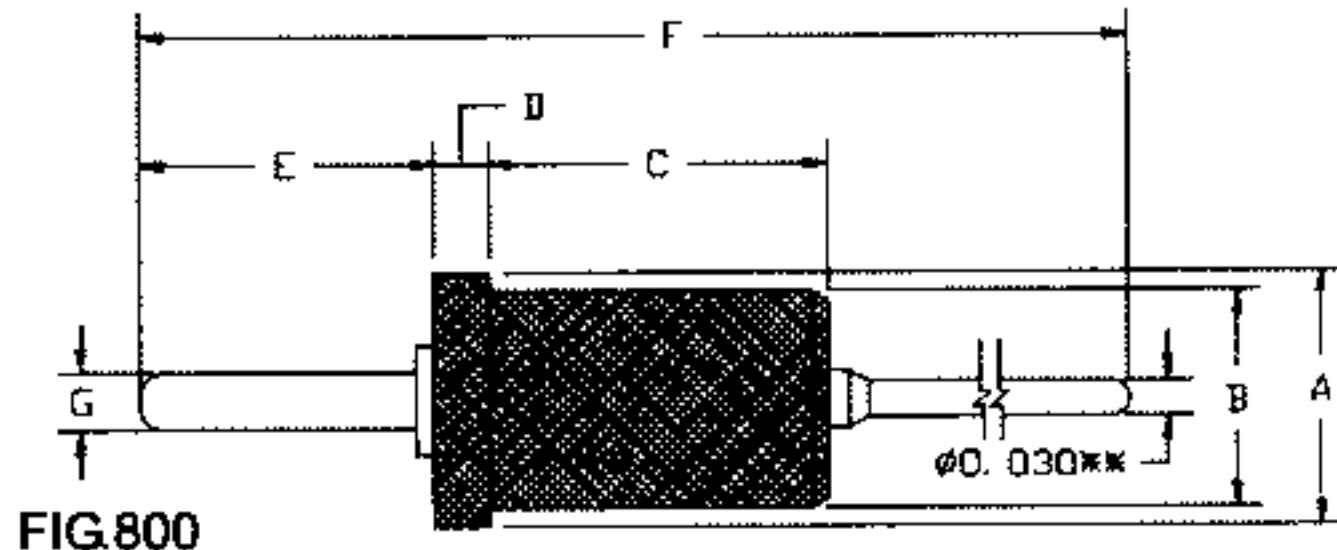


FIG.	PART NO.	A	B	C	D	E	F	G	H	K	L	N	P	R
FIG.800	1130-01	.172	.148	.165	.046	.250	1.397	.050						
	1130-02	.218	.185	.250	.046	.120	1.870	.040*						
	1130-08	.218	.185	.287	.046	.281	.739	.081*						
	1130-04	.218	.185	.287	.046	.250	.906	.050*						
	1130-05	.218	.185	.287	.046	.250	1.531	.050*						
	1130-06	.218	.185	.141	.046	.250	1.937	.050*						
	1130-07	.218	.185	.287	.046	.250	2.083	.050*						
FIG.810	1130R-03	.218	.185	.320	.046	.120	1.940	.040*						
FIG.820	1129-01	.218	.185	.287	.093	.125	1.000	.050				.020	.085	.093
	1129-02	.218	.185	.287	.093	.125	2.000	.050				.020	.085	.093
	1129-03	.218	.185	.150	.230	.125	2.000	.050				.020	.085	.093
FIG.830	1131-01	.187	.171	.212	.040	.272	.687	.040*						
	1131-02	.218	.185	.287	.046	.190	.648	.090*						
	1131-03	.218	.185	.135	.052	.250	.562	.050*						
	1131-04	.218	.185	.141	.046	.250	.562	.050*						
	1131-05	.218	.185	.141	.046	.250	.562	.081*						
	1131-06	.218	.185	.141	.046	.250	.612	.062*						
	1131-07	.218	.185	.287	.046	.250	.906	.050*						
	1131-08	.218	.185	.287	.046	.281	.739	.081*						
FIG.840	1120-01	.218	.185	.287	.046	.250	.833	.050						3/32
	1120-02	.218	.185	.141	.046	.250	.682	.050						1/16
FIG.850	1132-01	.218			.375	.270	.645	.090*						.062
	1132-02	.218			.375	.270	.645	.080*						.062
FIG.860	1114-30	.250	.218	.325	.050	.270	.645	.080						.046

\*±.001

\*\*FOR 1130-08 DIA. IS .040

