

PANEL JACK-CLOSED ENTRY-THREAD MOUNT

09-9074-1-03XX

09-9075-1-0319

BASIC PART NO. FINISH COLOR

FOR MIL-C-39024/10 ORDER AS 09-9074-1-035XX QUALIFIED PRODUCTS LISTED (QPL)

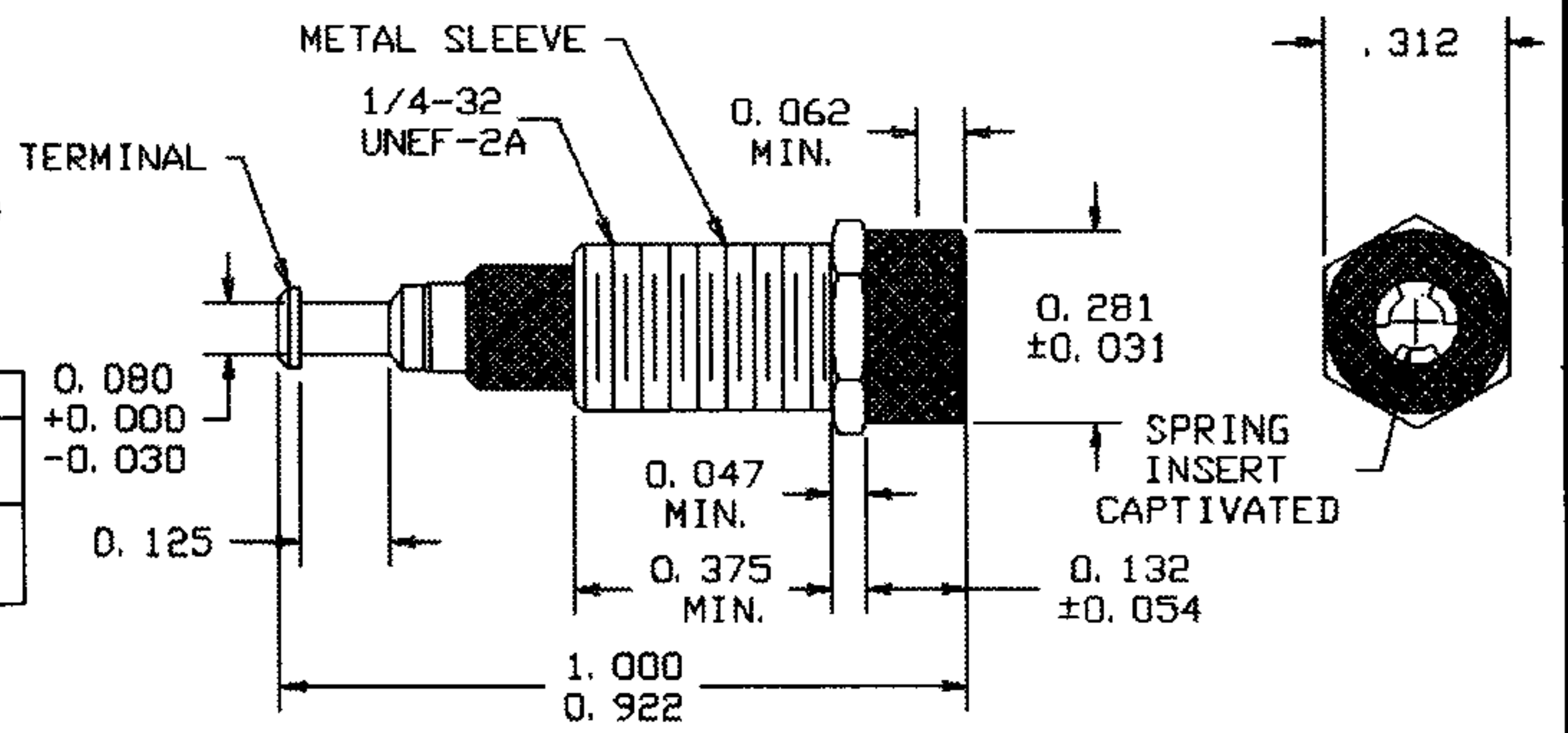
COMPONENTS COLOR/FINISH & (MATERIAL)

PART NUMBER	INSULATION	METAL SLEEVE	JACK BODY	JACK SPRING
09-9074-1-03XX	SEE COLOR	NICKEL (BRASS)	GOLD (BRASS)	GOLD (BERYLLIUM COPPER)
09-9075-1-0319	(19)NATURAL (PTFE)	NICKEL (BRASS)	GOLD (BRASS)	GOLD (BERYLLIUM COPPER)

SUPPLIED UNASSEMBLED: NICKEL PLATED BRASS MOUNTING HEX NUT, NICKEL PLATED PHOSPHOR BRONZE INTERNAL TOOTH LOCKWASHER

(FOR COLORS SEE COLOR CHART BELOW)

JACK FOR .080 PIN



ACCEPTS .080 PIN

09-9072-1-03XX

09-9073-1-0319

BASIC PART NO. FINISH COLOR

FOR MIL-C-39024/10 ORDER AS 09-9072-1-035XX QUALIFIED PRODUCTS LISTED (QPL)

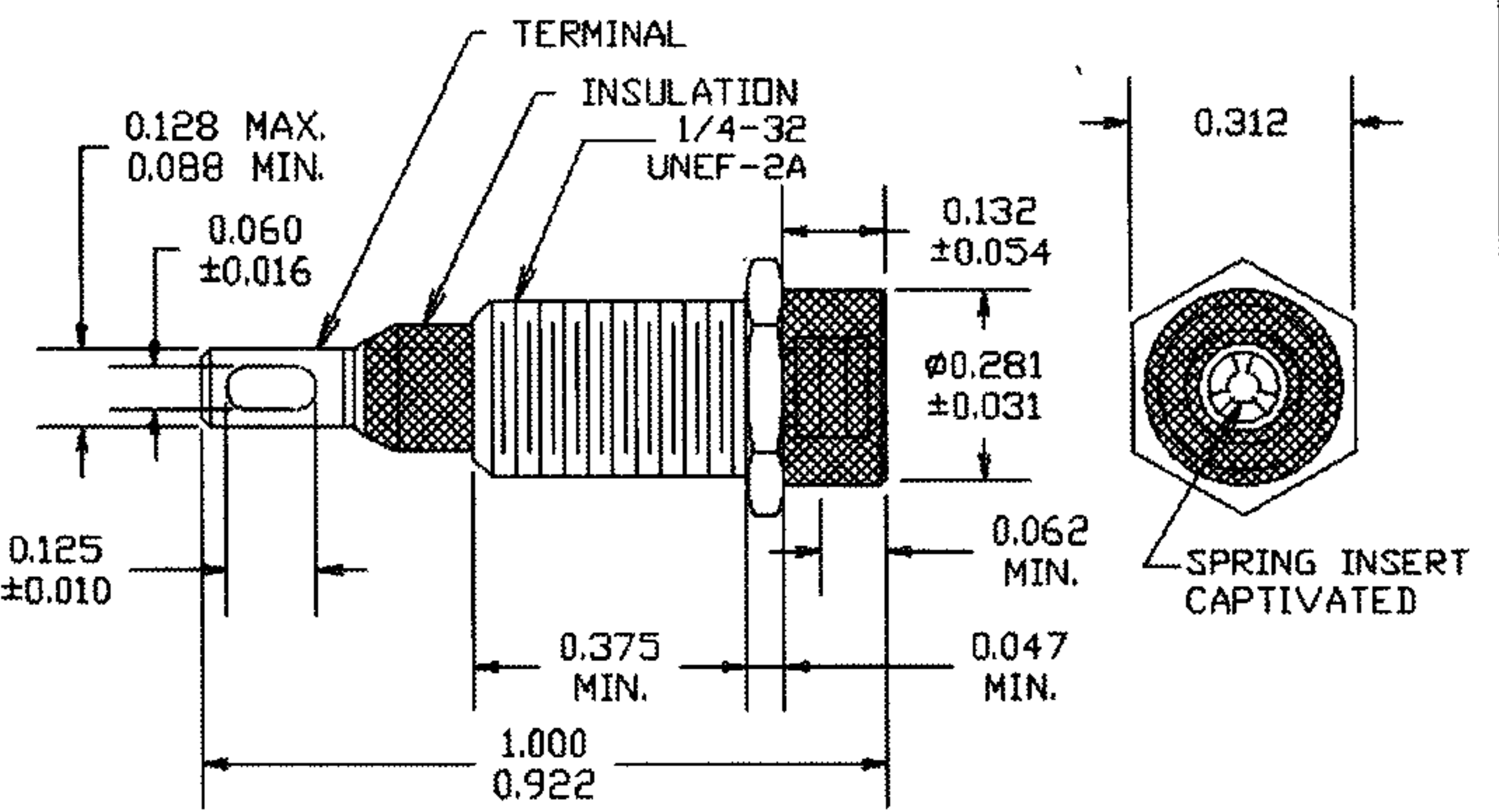
COMPONENTS COLOR/FINISH & (MATERIAL)

PART NUMBER	INSULATION	METAL SLEEVE	JACK BODY	JACK SPRING
09-9072-1-03XX	SEE COLOR	NICKEL (BRASS)	GOLD (BRASS)	GOLD (BERYLLIUM COPPER)
09-9073-1-0319	(19)NATURAL (PTFE)	NICKEL (BRASS)	GOLD (BRASS)	GOLD (BERYLLIUM COPPER)

SUPPLIED UNASSEMBLED: NICKEL PLATED BRASS MOUNTING HEX NUT, NICKEL PLATED PHOSPHOR BRONZE INTERNAL TOOTH LOCKWASHER

(FOR COLORS SEE COLOR CHART BELOW)

JACK FOR .080 PIN

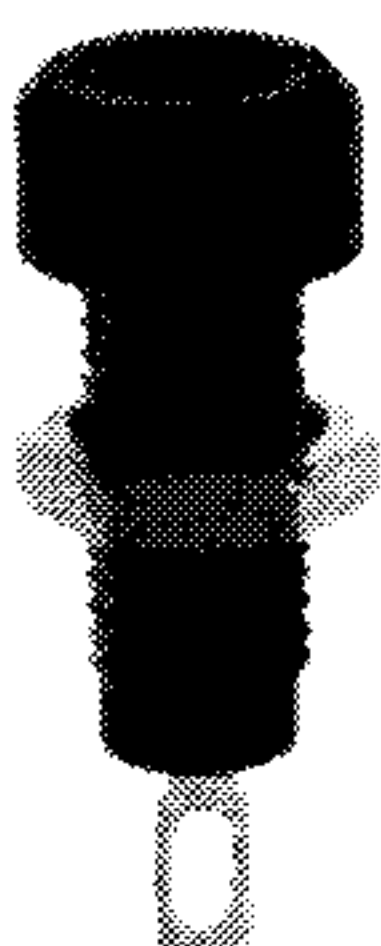


ACCEPTS .080 PIN

09-9184-1-044XX

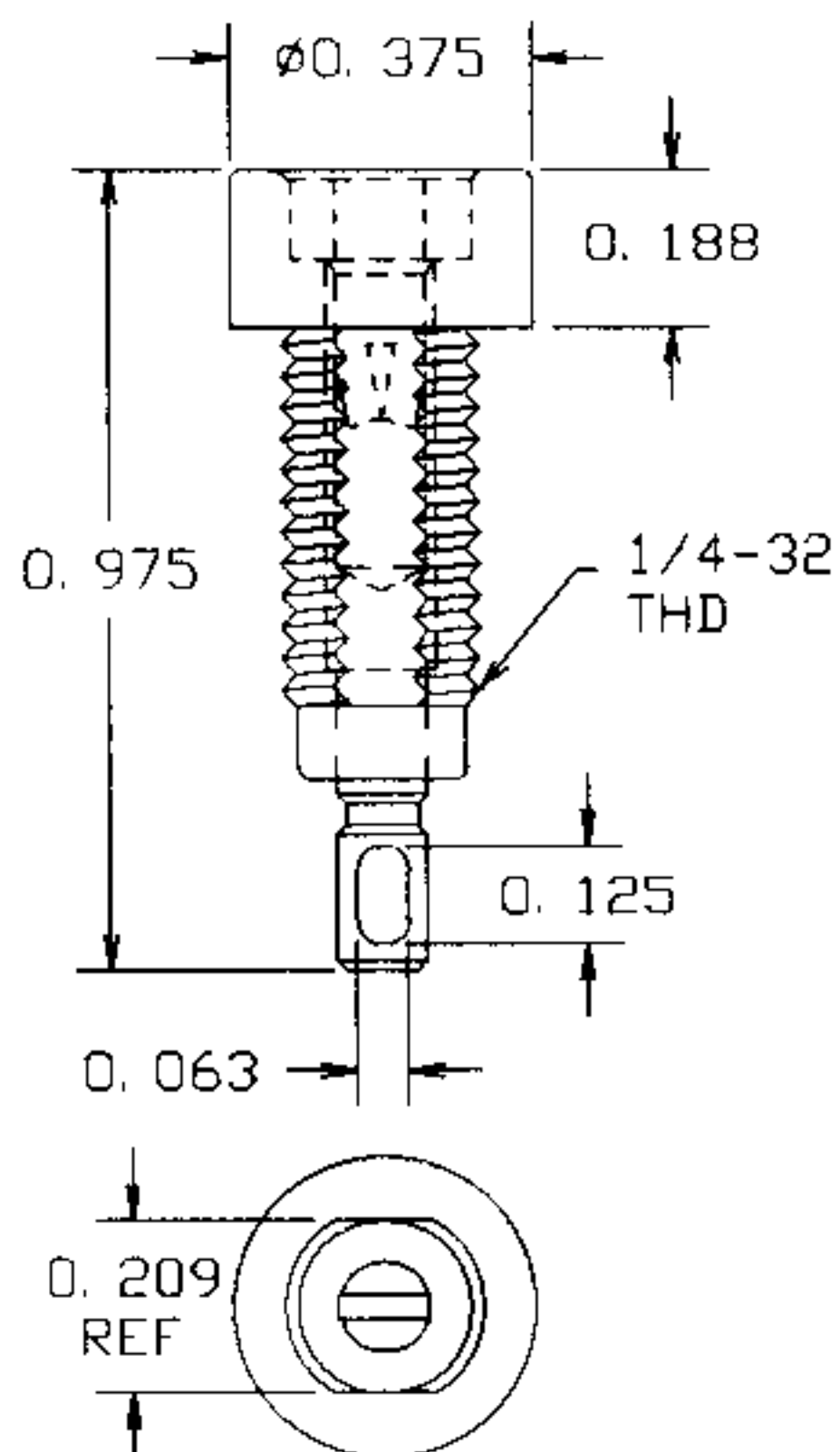
INSULATED TIP JACK

BASIC PART NO. FINISH COLOR



RATED FOR 10 AMPERES CONTINUOUS DUTY

ACCEPTS STANDARD .080 PINS. MOUNTS IN 1/4" ROUND OR DOUBLE "D" HOLE IN PANEL UP TO 3/8" THICK. AVAILABLE IN COLORS (SEE COLOR CHART)



COMPONENT	MATERIAL	(044) FINISH
PIN	BRASS	BRIGHT TIN
CONTACT	BERYLLIUM COPPER	BRIGHT TIN
INSULATION	POLYCARBONATE	-
NUT	BRASS	NICKEL

09-9183-1-044XX

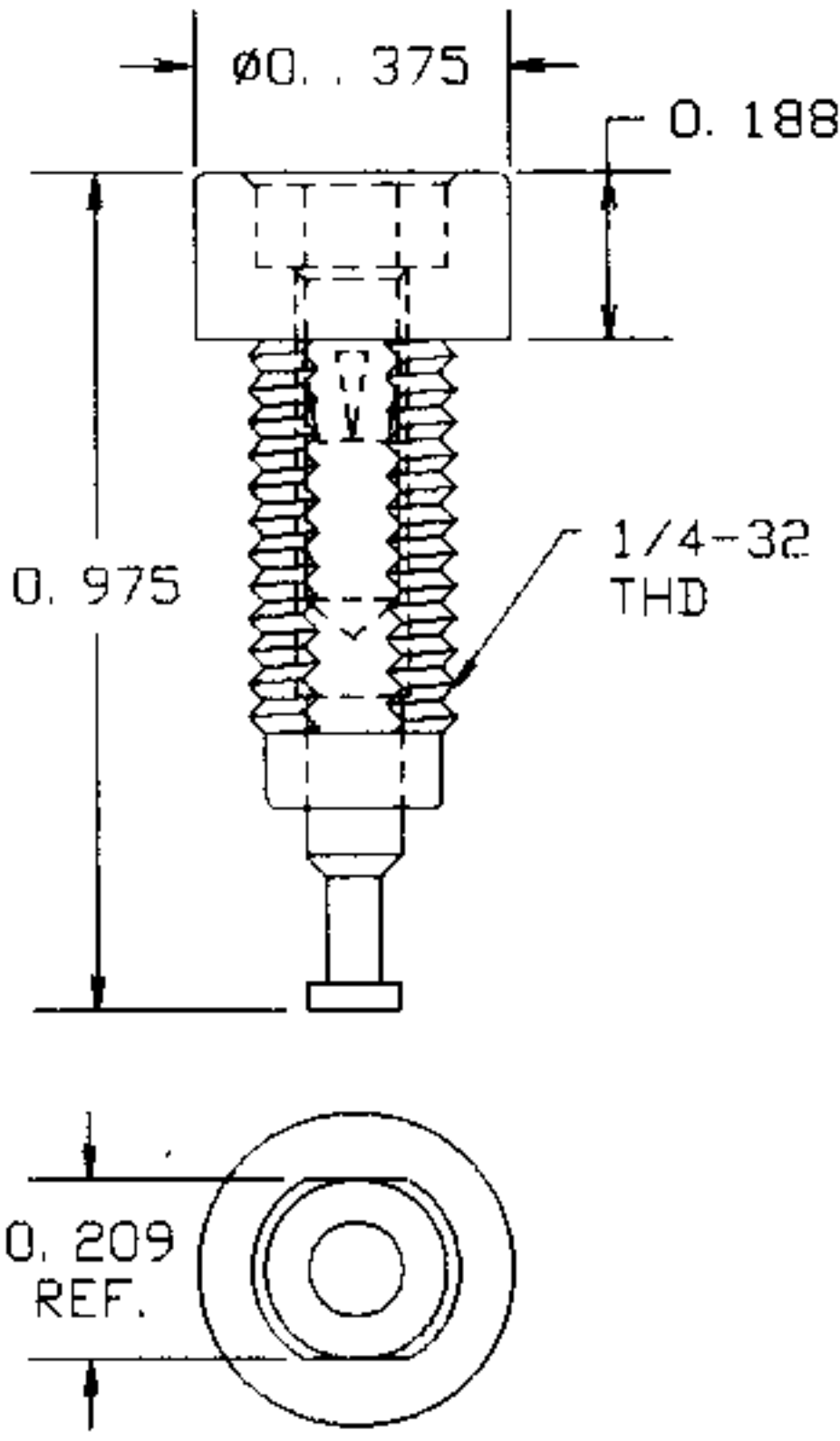
INSULATED TIP JACK

BASIC PART NO. FINISH COLOR



RATED FOR 10 AMPERES CONTINUOUS DUTY

ACCEPTS STANDARD .080 PINS. MOUNTS IN 1/4" ROUND OR DOUBLE "D" HOLE IN PANEL UP TO 3/8" THICK. AVAILABLE IN COLORS (SEE COLOR CHART)



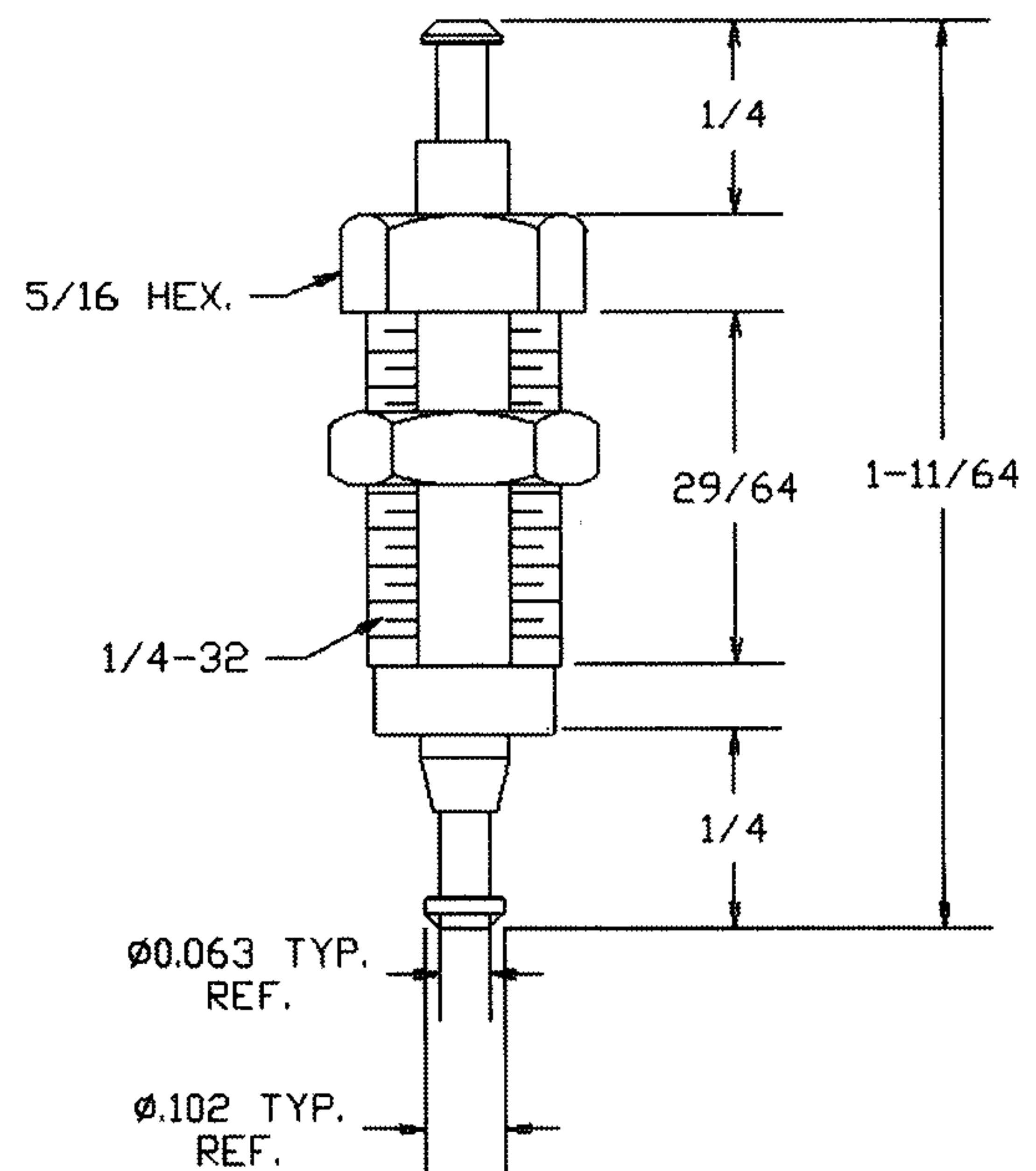
COMPONENT	MATERIAL	(044) FINISH
PIN	BRASS	BRIGHT TIN
CONTACT	BERYLLIUM COPPER	BRIGHT TIN
INSULATION	POLYCARBONATE	-
NUT	BRASS	NICKEL

09-9152-1-044XX

FEED THRU

BASIC PART NO. FINISH COLOR

RATED FOR 10 AMPERES CONTINUOUS DUTY



POLYCARBONATE INSULATION WITH HEX SHOULDER

Part is completely insulated from chassis. Accommodate panels from 1/16" to 1/4" thick.

FOR ADDITIONAL SIZES AND MATERIALS, CONTACT FACTORY

BLK	BRN	RED	ORN	YEL	GRN	BLU	PUR	GRY	WHT
10	11	12	13	14	15	16	17	18	19

800-847-4162 (Outside N.Y.S.)
Ph: 212-777-6571 Fax: 212-991-0161
sales@concord-electronics.com
engineering@concord-electronics.com

