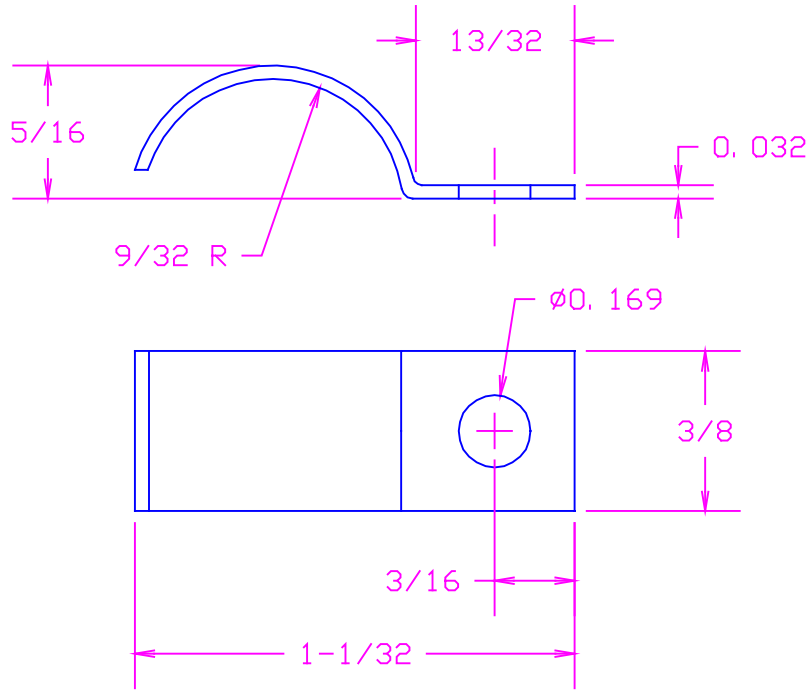
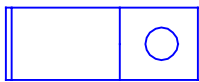


DATE	SYM	REVISION RECORD	AUTH.	DR.	CK.
3/17/99	-	ISSUED	JL	NT	JL



MATERIAL: STEEL  
FINISH: ZINC PLATED

ACTUAL SIZE



TOLERANCES	CONCORD ELECTRONICS CORPORATION		
DECIMAL $\pm .005$	P/N	SCALE	30 GREAT JONES ST. NEW YORK N. Y. 10012
FRACTIONAL $\pm 1/64$	TITLE CABLE CLAMP		
$\pm 2^\circ$	DATE 3/17/99	DRAWING NUMBER 770-1422	